

Threaded Internal Valves For Bobtail Delivery Trucks, Transports and Stationary Storage Tanks A3213D Series

Application

Designed primarily for use with LP-Gas and anhydrous ammonia for liquid withdrawal; vapor transfer or vapor equalization of bobtail delivery trucks, transports, stationary storage tanks, and in-line installations. The valve may be operated manually by cable or pneumatically.

Features

- May be installed in full and half couplings.
- Nylon bearing supported operating shaft provides smooth, easy operation.
- Simple operating lever facilitates easy adaptation of all cable controls.
- Midway stem position allows for quicker pressure equalization.
- All critical operating components are located in the valve body inside the container coupling for maximum protection against physical damage.
- Built-in excess flow valve.
- Return spring returns the valve to the closed position when the handle is released.
- Specify RegO Internal Valves on your next new tank body or when your tank is rebuilt.
- A3213PA pneumatic actuator provides a convenient means of opening and closing the valve from a remote location, using either air or nitrogen for A3213D service valves.

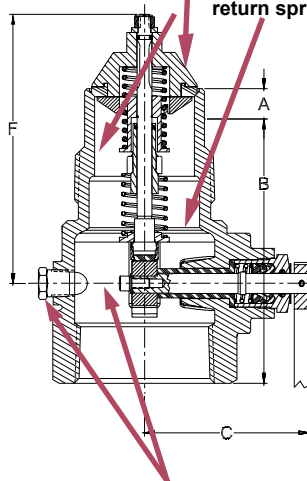
Materials

Body Ductile Iron
 Operating Lever..... Cadmium Plated Steel
 Stem Stainless Steel
 Springs Stainless Steel
 Seat Disc..... Resilient Synthetic Rubber
 Shaft Bearing..... Nylon



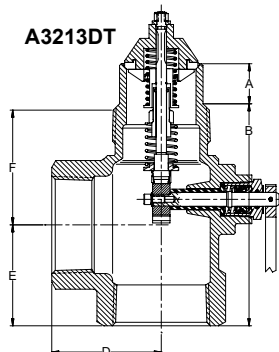
Seat disc fully retained and field replaceable.

Excess flow spring is independent from return spring operation



A3213D Series

Cam attached with Allen head fastener which is accessed from the 1/4" pipe plug on side of the body



A3213RA

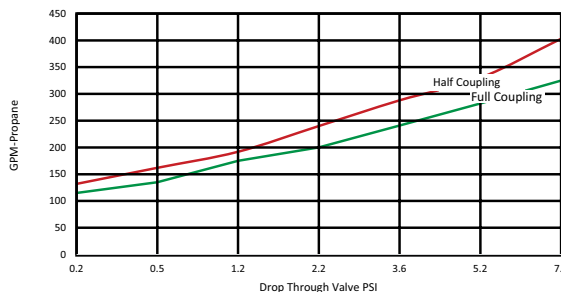


A3213PA



A3213TL

A3213D Series



Ordering Information

Part Number	Inlet Connection M.NPT	Outlet Connections F.NPT	Closing Flow Half Coupling (GPM)		Closing Flow Full Coupling (GPM)		Vapor Closing Flow (SCFH)		Accessories			
			LPG	NH3	LPG	NH3	25 PSIG Inlet	100 PSIG Inlet	Pneumatic Actuator	Rotary Actuator	Electric Actuator	Thermal Latch
A3213D150	3"	3"	150	135	125	113	26,900	45,900	A3213PA	A3213RA	A3213EA	A3213TL
A3213D200			200	180	160	144	32,300	55,100				
A3213D300			300	270	250	225	50,500	86,500				
A3213D400			400	360	325	293	71,400	121,300				
A3213DT150*			150	135	125	113	26,900	45,900				
A3213DT200*			200	180	160	144	32,300	55,100				
A3213DT300*			300	250	250	225	50,500	86,500				
A3213DT400*			400	325	325	293	71,400	121,300				

* T-body design