

2" & 3" Swing-Check ESVs for Bulk Plants A6016 Series and A6024 Series

Application

Designed for installation in liquid transfer lines at LP-Gas or Anhydrous Ammonia bulk plants to provide for quick shut-off of liquid or vapor flow in the event of an accidental pull-away, line break, or hose rupture.

Features

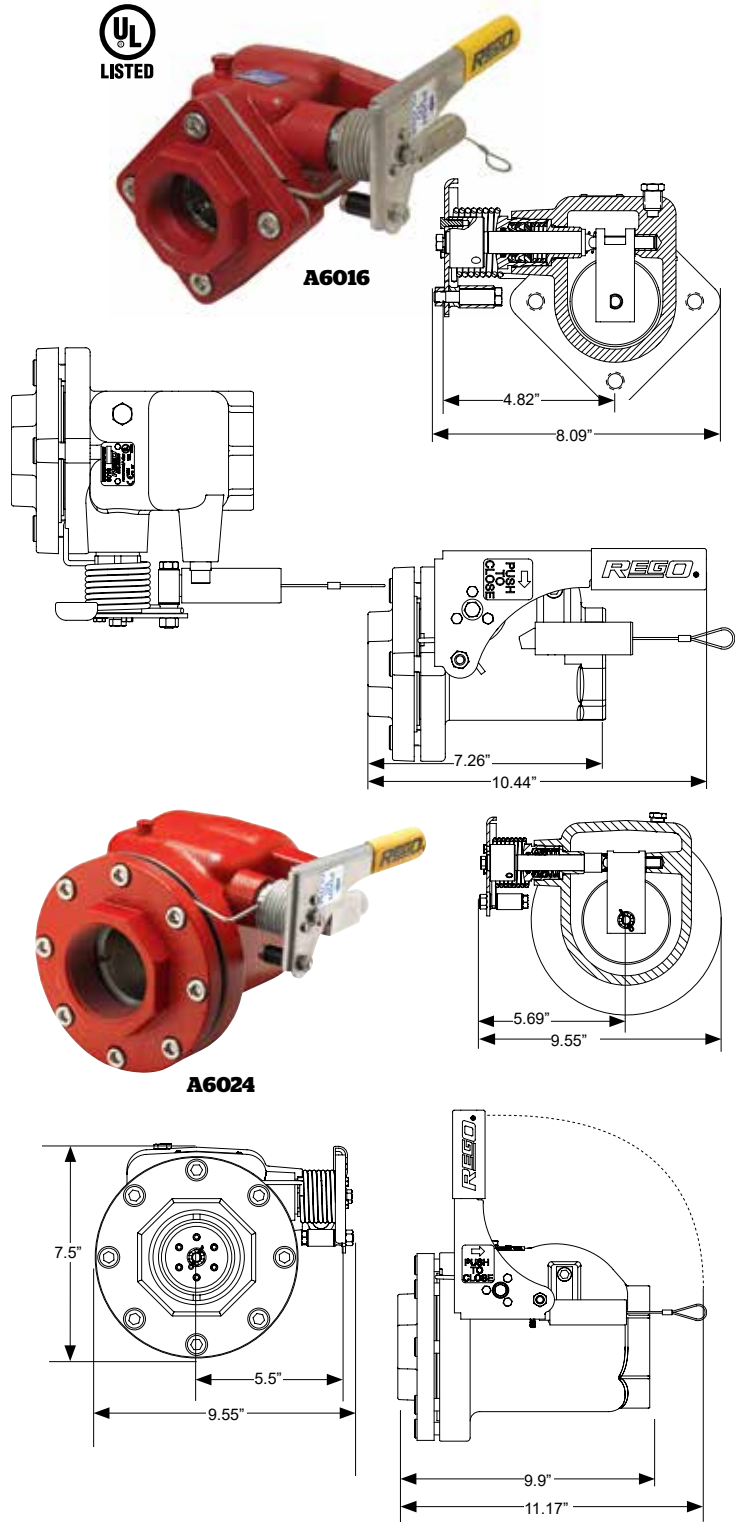
- Fusible Element is located in the thermal fuse assembly which acts at the latch open and close trigger. When exposed to fire, the element melts at 212° F allowing the shaft to return to the closed position.
- Valve can be opened by use of operating lever, if a pneumatic actuator is used it will open with the actuator.
- Valve can be closed by remote cable or pneumatic actuator.
- Valve can be closed by simply pushing the operating lever down, it is not necessary to trip the close trigger.
- Seat Disc is retained by a metal seat to minimize leakage in case of direct fire impingement.
- Quick closing regardless if the pump is running or not.

Sturdy Rugged Construction

- Will withstand hydraulic shock of sudden closings, piping strains, and temperature variations.
- Valve has only two moving parts, stem and close/thermal trigger.
- A6016 is UL listed for use in LP-Gas as an emergency and operating shut-off valve.
- Stem seals are spring loaded for leak free performance at low temperatures/pressures.

Materials

Body Ductile Iron Cad Plated
 Stem Stainless Steel
 Seat Stainless Steel
 Seat Disc (VA6016/VA6024) High Temperature Viton
 Seat Disc (A6016/A6024) Nitrite
 Springs Stainless Steel
 Gaskets Teflon



Ordering Information

Part Number	Seat	Inlet and Outlet Connections	Liquid Flow Capacity at 10 PSIG Drop (GPM)	Accessories			
				Remote Close Pneumatic	Remote Open/Close Pneumatic	Remote Open/Close Rotary	Electric Actuator
VA6016	Viton	2" F.NPT	711 (LP-Gas)	6016-60D	6016-60C	6016RA	6016EA
A6016	Buna-N	2" F.NPT	640 (NH ₃ or LP-Gas)				
VA6024	Viton	3" F.NPT	1325 (LP-Gas)				
A6024	Buna-N	3" F.NPT	1173 (NH ₃ or LP-Gas)				