

# Quick-Acting Hose-End Valves for Bobtail Delivery Trucks and Dispensing Stations A7707L and A7708L

## Application

Designed especially for safe operator handling of LP-Gas in bobtail delivery truck, dispensing systems and anhydrous ammonia nurse tank service.

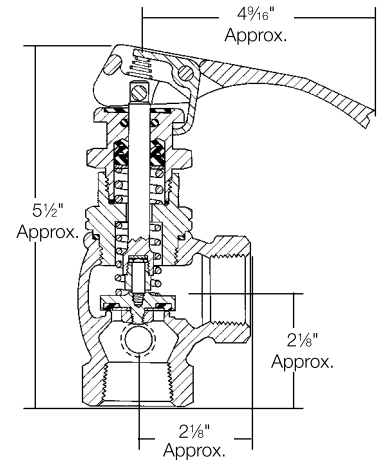
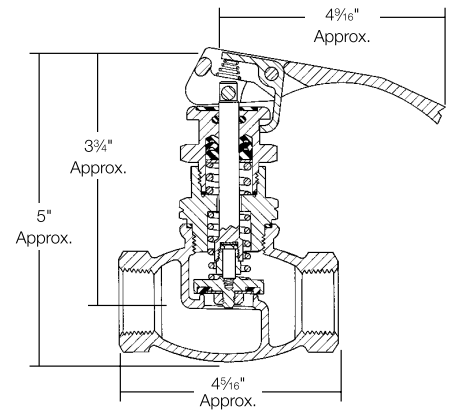
These valves provide instant, full-on flow at the flip of the handle and provide instant positive shut-off with a handle lock for added protection.

## Features

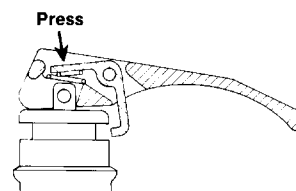
- "V"-ring spring-loaded pressure stem seal provides for leak-proof operation. No packing to retighten or replace.
- Self locking handle is operator opened and closed to prevent against accidental opening of the valve.
- Large, contoured handle provides firm, comfortable grip.
- Full swivel handle rotates 360° so the valve can be operated from any angle.
- Built-in vent valve on the downstream side of the valve permits bleeding of trapped product to ensure safe uncoupling.
- Can be used with a variety of RegO filling adapter connectors.
- Swivel seat disc minimizes grinding on the body seat and ensures longer service life.

## Materials

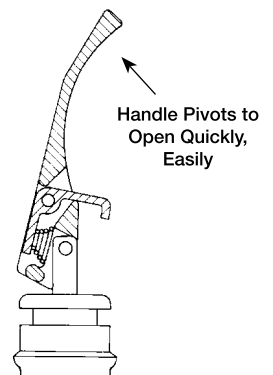
Body .....	Ductile Iron
"V"-Ring .....	Teflon
Stem .....	Stainless Steel
Seat Disc .....	Synthetic Elastomer
Valve Lever .....	Stainless Steel
Seal Housing .....	Stainless Steel
Bonnet .....	Cadmium Plated Steel



E



Spring-Loaded Thumb-Button Opens Latch



## Ordering Information

Part Number	Body Design	Inlet & Outlet Connection (F. NPT)	Locking Handle	Flow at 1 PSIG Pressure Drop (Cv) (GPM/Propane)**	Accessories		
					Filling Connectors**		
					Extended Steel	Compact Brass Steel	
A7707L	Straight	1"	Yes	18.0	A7575L4	3175A	A3175A
A7708L	Angle			22.0			

\* To obtain approximate flow at other than 1 PSIG pressure drop, multiply flow in table by square root of pressure drop. Example: A7708L @ 9 PSIG = 22.0 x √9 = 66.0 GPM/propane. For NH<sub>3</sub> flow, multiply propane flow by .90.

\*\* See appropriate catalog section for additional information.