

External Hydrostatic Relief Valves

3125, 3127, 3129, SS8001, SS8002, SS8021 and SS8022 Series

Application

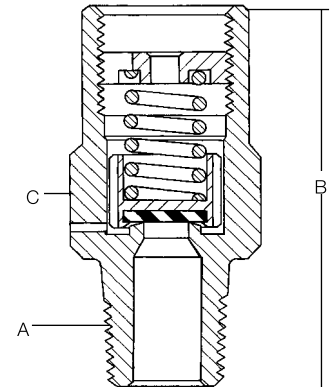
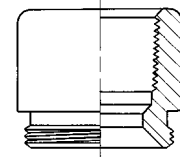
Designed especially for the protection of piping and shut-off valves where there is a possibility of trapping liquid LP-Gas or anhydrous ammonia. They may be installed in pipelines and hoses located between shut-off valves or in the side boss of RegO shut-off valves.

Features

- Relief valve designed to automatically reseal firmly after discharge.
- Resilient seat disc provides a "bubble-tight" seal.
- Available in both brass and stainless steel.
- Available in configurations that permit direct attachment of vent piping when required.

Materials

Body (3125, 3127, 3129)..... Brass
 Body (SS8001, SS8002, SS8021, SS8022)..... Stainless Steel
 Spring Stainless Steel
 Seat Disc Resilient Rubber



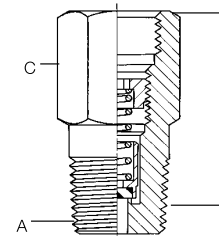
3125 Series (.161" Orifice)***
3127 Series (.274" Orifice)***
3129 Series (.386" Orifice)***

Ordering Information

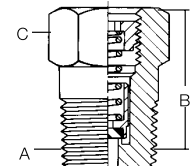
Part Number	Start To Discharge Setting PSIG	Valve Body Material	Container Connection M. NPT	Height (Approx.)	Wrench Hex Section	Accessories		
						Protective Cap	Pipeaway Adapter or Threads	
SS8001G**	250	Stainless Steel	1/4"	7/8"	11/16"	8001-55	-	
SS8002G**			1/2"		7/8"	8022-54		
SS8021G**			1/4"	1 3/8"	11/16"	8001-55		1/4" NPSM Thrds
SS8022G**			1/2"		7/8"	8022-54		3/8" NPT Thrds
3127G			1/4"	1 31/32"	7/8"	9103-54		-
3129G			1/2"	2 19/32"	1 1/8"	3129-40P		3129-10*
3127H	275	Brass	1/4"	1 31/32"	7/8"	9103-54	-	
3129H			1/2"	2 19/32"	1 1/8"	3129-40P	3129-10*	
3127P			1/4"	1 31/32"	1 1/8"	9103-54	-	
3129P	300	Brass	1/2"	2 19/32"	1 1/8"	3129-40P	3129-10*	
SS8022P**			1/2"	1 3/8"	7/8"	8022-54	3/8" NPT Thrds	
3127J	350	Brass	1/4"	1 31/32"	7/8"	9103-54	-	
3129J			1/2"	2 19/32"	1 1/8"	3129-40P	3129-10*	
SS8001J**	350	Stainless Steel	1/4"	7/8"	11/16"	8001-55	-	
SS8002J**			1/2"		7/8"	8022-54		
SS8021J**			1/4"	1 3/8"	11/16"	8001-55		1/4" NPSM Thrds
SS8022J**			1/2"		7/8"	8022-54		3/8" NPT Thrds
3127K	375	Brass	1/4"	1 31/32"	7/8"	9103-54	-	
3129K			1/2"	2 19/32"	1 1/8"	3129-40P	3129-10*	
3125L			1/4"	1 9/16"	5/8"	3125-40P	-	
3127L			1/4"	1 31/32"	7/8"	9103-54	-	
3129L	400	Brass	1/2"	2 19/32"	1 1/8"	3129-40P	3129-10*	
SS8001L**			1/4"	7/8"	11/16"	8001-55	-	
SS8002L**			1/2"		7/8"	8022-54		
SS8021L**			1/4"	1 3/8"	11/16"	8001-55		1/4" NPSM Thrds
SS8022L**	1/2"	7/8"	8022-54		3/8" NPT Thrds			
3127U	450	Brass	1/4"	1 31/32"	7/8"	9103-54	-	
3129U			1/2"	2 19/32"	1 1/8"	3129-40P	3129-10*	
SS8001U**			1/4"	7/8"	11/16"	8001-55	-	
SS8002U**			1/2"		7/8"	8022-54		
SS8021U**	1/4"	1"	11/16"	8001-55	1/4" NPSM Thrds			
SS8022U**	1/2"		7/8"	8022-54	3/8" NPT Thrds			



SS8022G



SS8021, SS8022 Series (.156" Orifice)***



SS8001, SS8002 Series (.156" Orifice)***



* 1/2" F. NPT outlet connection.

** Weep holes are not provided integral to these relief valves

*** Orifice diameter