

Vapor Equalizing Adapter for 1-1/4" ACME Vapor Equalizing Valves

7573-20

Application

The 7573-20 is designed for use with RegO Multivalves® that utilize a vapor equalizing port and 7573 series vapor equalizing valves. The adapter's operating handle opens and closes the upper check stem in the vapor equalizing valve after the ACME connection is completely made up.

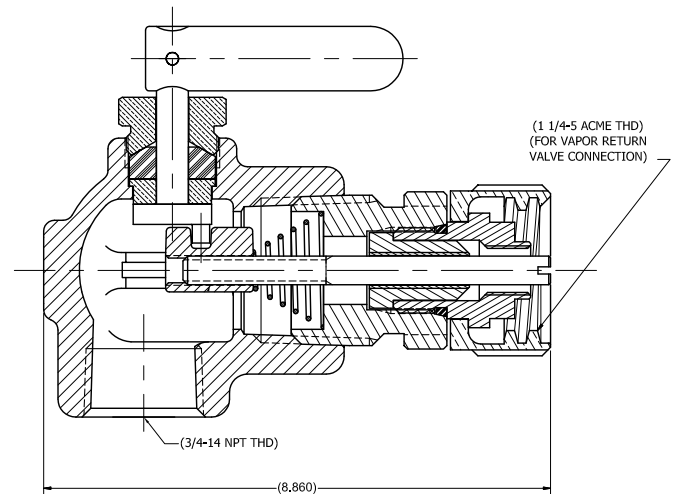
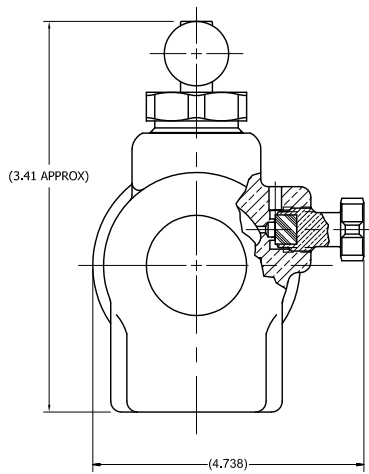
This adapter is designed to eliminate the need for gas flow from the vapor equalizing valve whenever the adapter is installed or removed. **A shutoff valve, such as a full port ball valve or globe valve must be installed before the 7573-20 adapter to stop gas flow when the adapter is not connected.**

Features

- Designed to seat against the gasket in the vapor equalizing valve for a gas tight seal.
- Adapter can be installed without depressing the upper check of the vapor equalizing valve.
- Designed to eliminate the need to gas discharge when connection or disconnecting from the vapor equalizing valve.
- Built in bleeder valve allows for controlled discharge of vapor before removing the adapter from the vapor equalizing valve.
- Built in bleeder valve allows controlled discharge of liquid before removing the adapter.



7593-20



Ordering Information

Adapter Number	Inlet Connection	Outlet Connection	Approx Length	Approximate Width
7593-20	1 1/4" F-ACME	3/4" M-NPT	4 7/16"	2 3/8"