

# “Dual” Cylinder Valve for Simultaneous Liquid and Vapor Withdrawal 8556

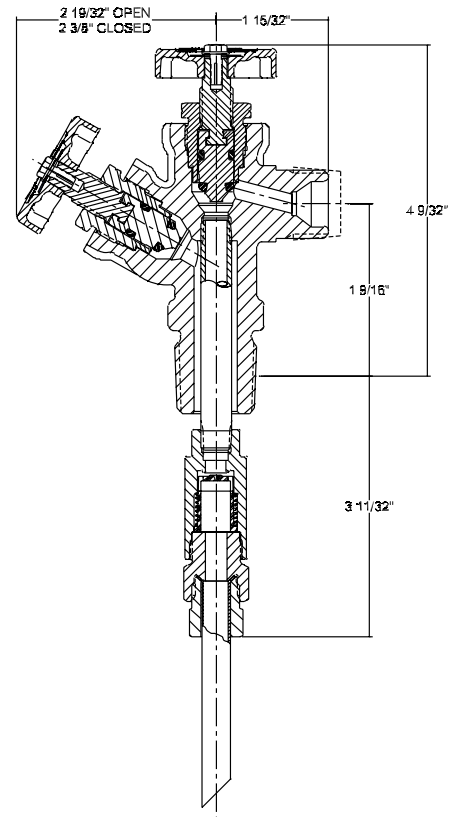
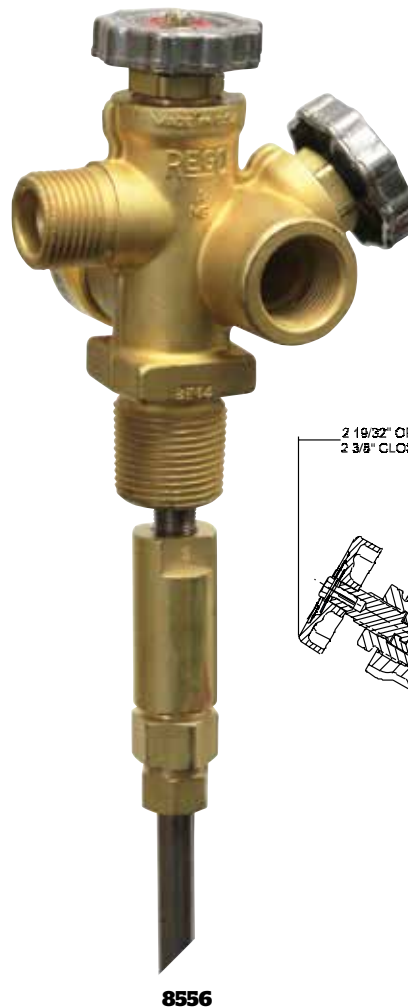
## Application

This dual cylinder valve was designed especially for industrial uses. It increases the cylinder’s flexibility by permitting DOT cylinders up to 100 lbs. propane capacity to be used interchangeably or simultaneously for either liquid or vapor withdrawal.



## Features

- Two separate flow channels in the body permit vapor and/or liquid withdrawal alternately, or simultaneously.
- Outlet connections have two different fittings.
- Handwheels are equipped with appropriate “liquid” or “vapor” identification labels.
- Furnished with a 3/8” O.D. stainless steel liquid withdrawal tube with a “T” dimension of 44”.



## Materials

Body .....	Forged Brass
Handwheel.....	Aluminum Die Cast
Stem .....	Brass
Seat Disc .....	Nylon
O-Rings .....	Resilient Rubber
Relief Spring .....	Stainless Steel



## Ordering Information

Part Number	Container Connection	Service Connection		Fixed Liquid Level Vent Valve Style	Liquid Withdrawal Tube Length
		Vapor	Liquid		
8556	3/4" M. NGT	F. POL (CGA 510)	CGA 555	None	44"

Pressure Relief Valve Setting	For Use in Cylinders w/Propane Capacity Up To:	Approximate Filling Rate Liquid Flow, GPM				Liquid Closing Flow* (LP-Gas)
		Pressure Drop Across Valves				
		10 PSIG	25 PSIG	50 PSIG	100 PSIG	
375 PSIG	100 lbs.	6.6	10.0	14.5	21.0	2.3 GPM

\* To ensure proper functioning and maximum protection from integral excess flow valves, the cylinder valve should be fully opened and backseated when in use.  
NOTE: These valves incorporate an excess flow valve. Refer to L-500/Section F, for complete information regarding selection, operation and testing of excess flow valves.